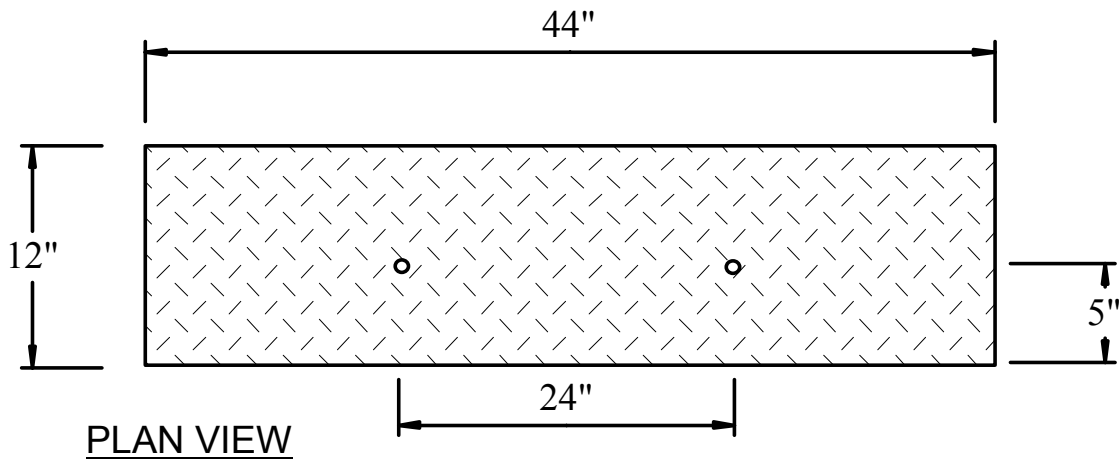
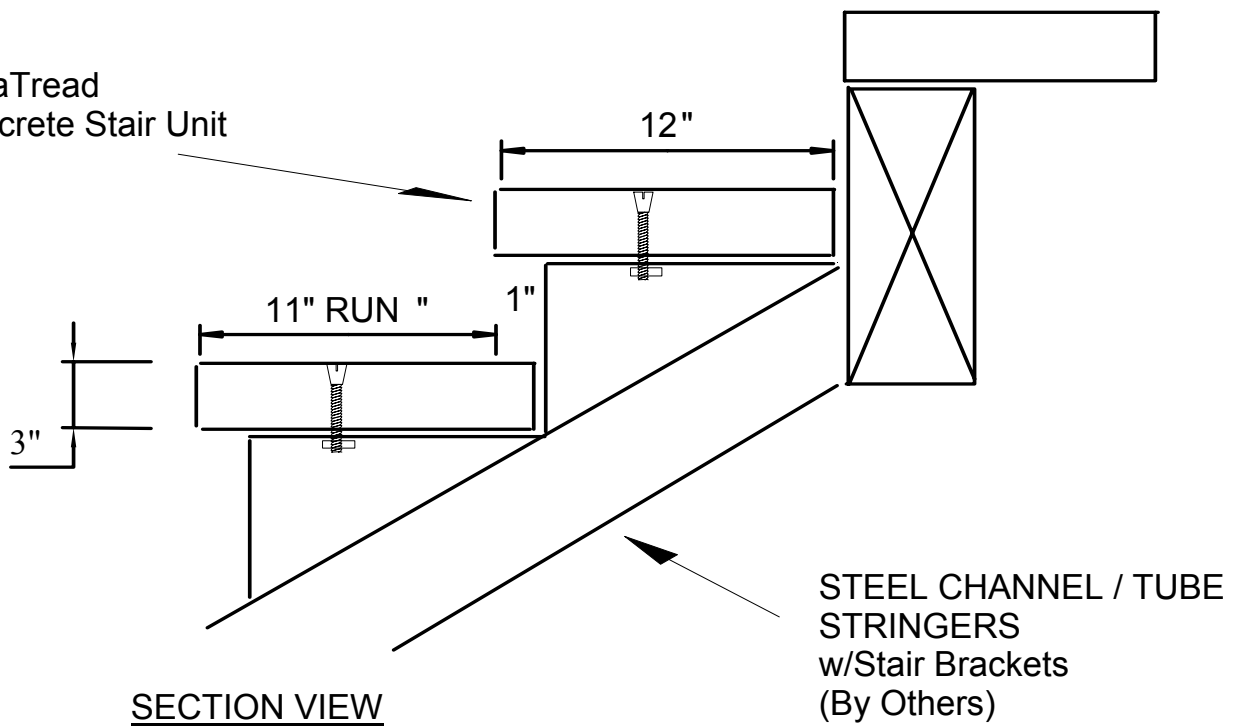


PRODUCT DETAILS: DuraTread Concrete Stair Tread



DuraTread
Concrete Stair Unit



Features

- Slip Resistant Finish (Checker-Plate Pattern)
- Simple One-Piece Design
- Mount holes for 3/8" bolts

Options

- Rail Post Mounting Holes
- Integral Colors

For Specs, Drawings, and CAD Details, visit www.bertelsonprecast.com
or Call 1-800-864-8853.