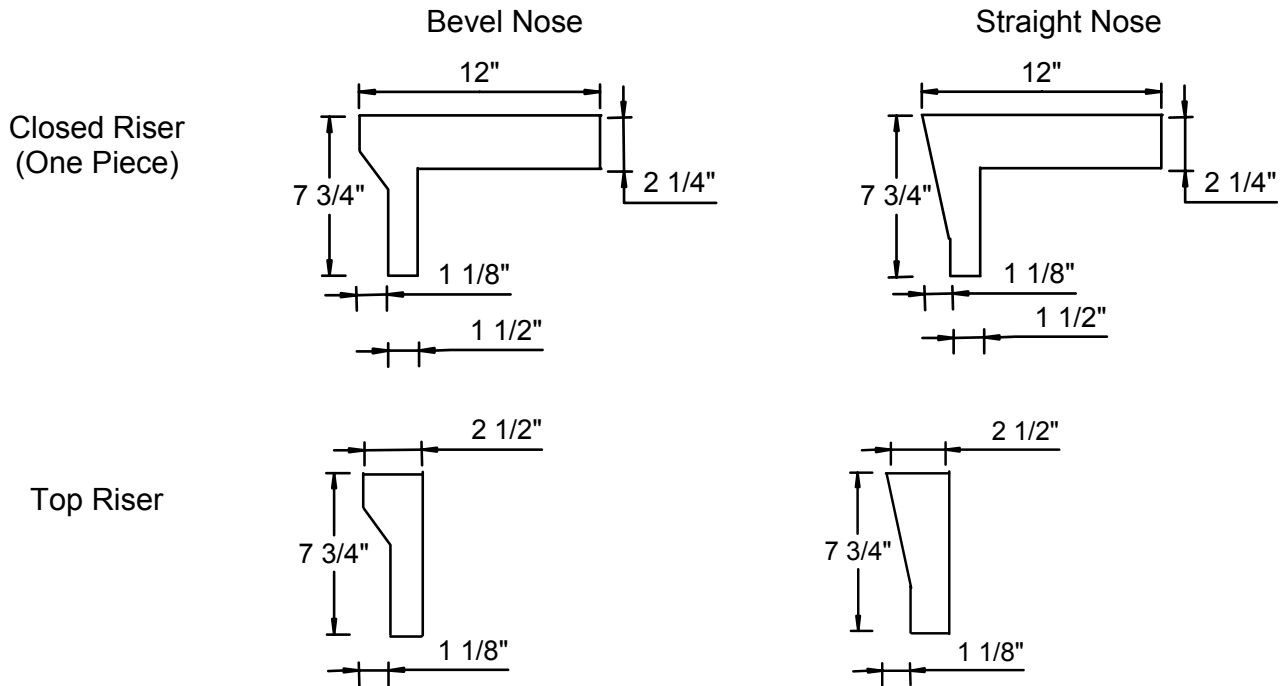


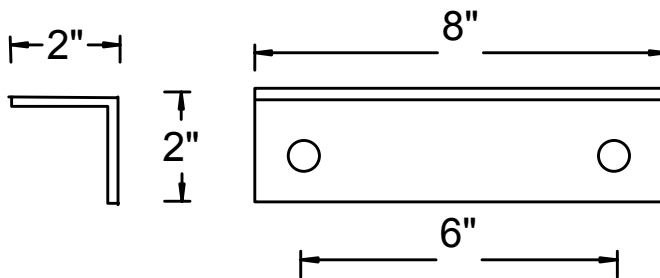
Bertelson PRECAST

1-800-864-8853

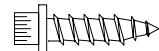
PRODUCT DETAILS: VersaTread Stair & Riser System
SHEET: 1 Basic Components



Tread Bracket
(Galvanized
3/16" Steel
Angle)



Lag Bolt
(1/2" x 3")
Zinc



Features:

- Slip-resistant finish
- Weld-on or Bolt-on connections
- Sizes from 36" to 72"
- Two Profiles to choose from (Bevel or Straight nose)

Options:

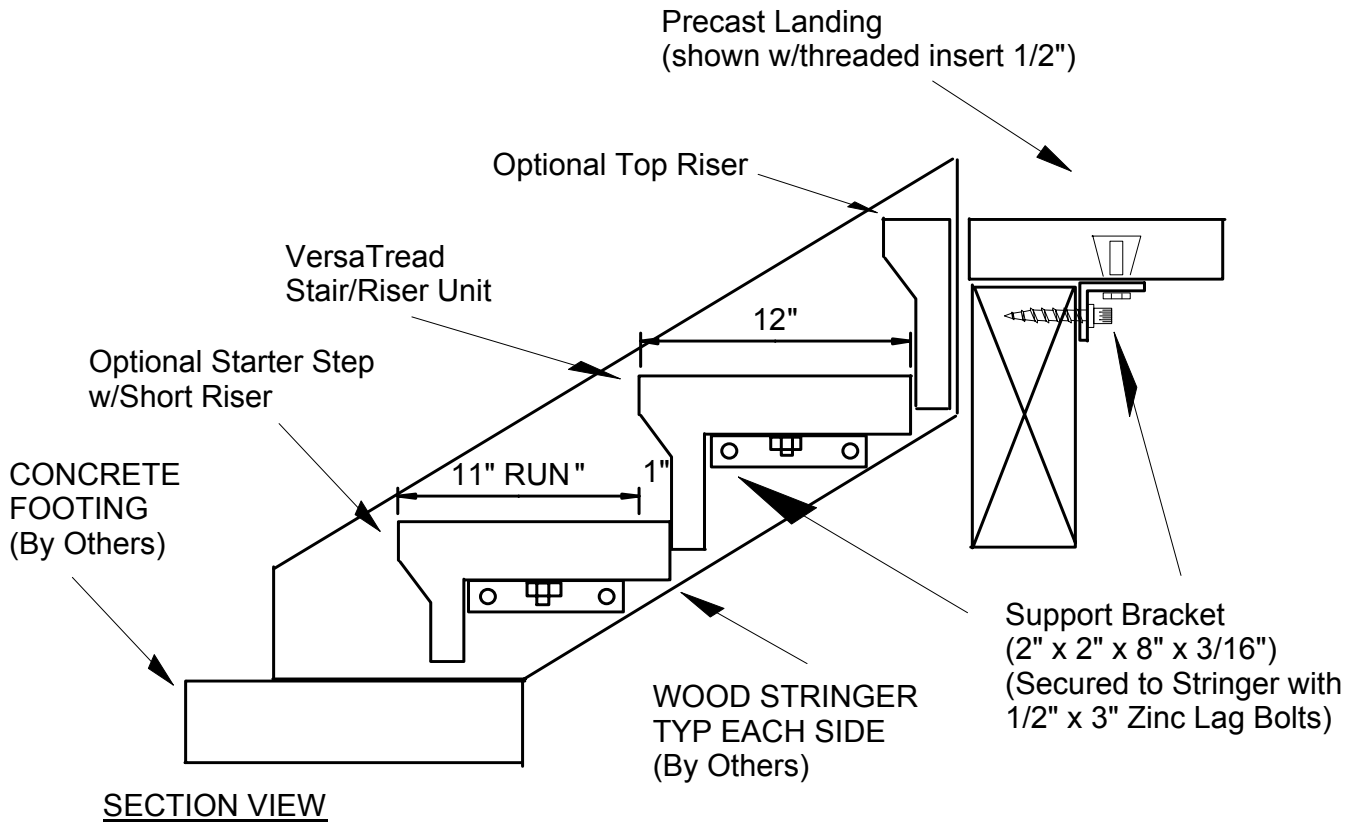
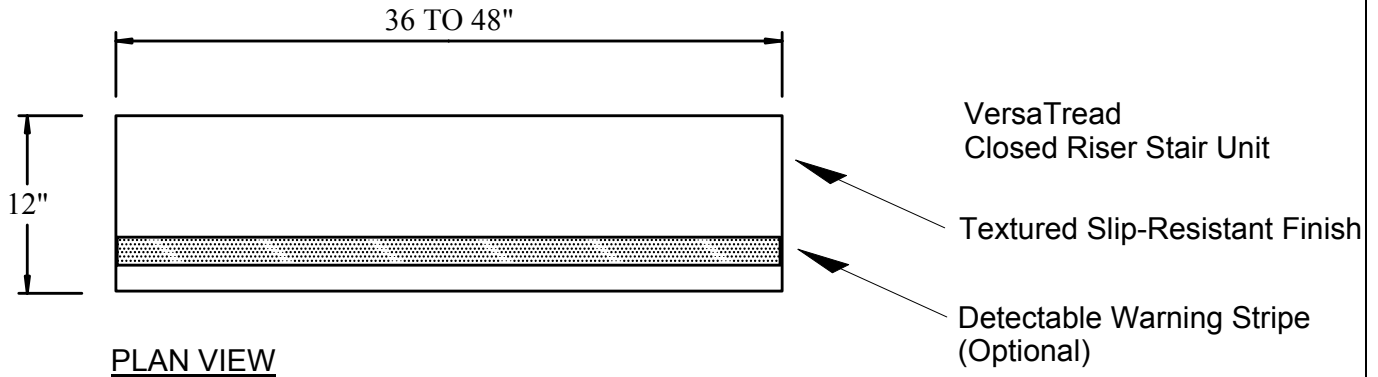
- ADA Compliant Warning Stripe (Crushed rock strip 2" wide, 1" from tread nose)
- Wide Selection of Colors
- Handrail Connections
- Exposed Aggregate Finish

For Specs, Drawings, and CAD Details, visit www.bertelsonprecast.com or Call 1-800-864-8853.

Bertelson PRECAST

1-800-864-8853

PRODUCT DETAILS: VersaTread Stair & Riser System
SHEET: 2 Wood Stringer Detail

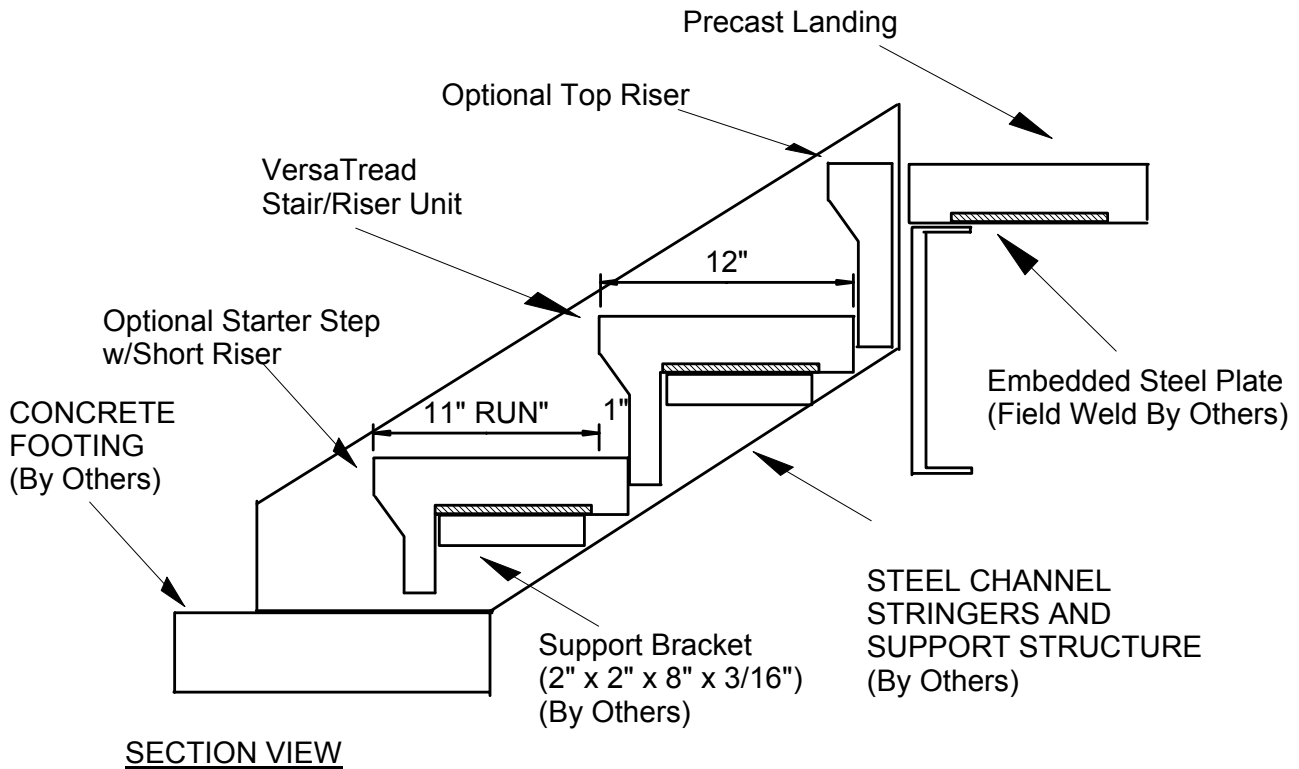
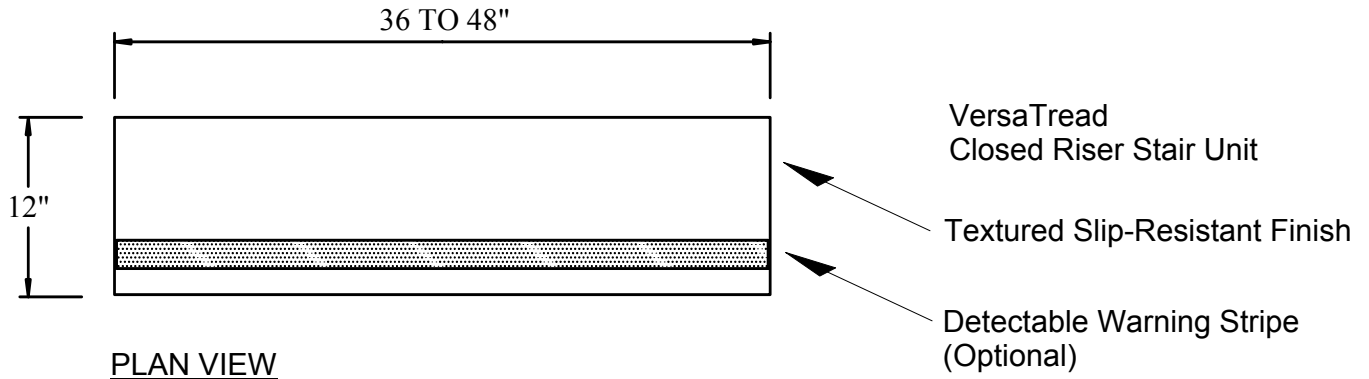


For Specs, Drawings, and CAD Details, visit www.bertelsonprecast.com
or Call 1-800-864-8853.

Bertelson PRECAST

1-800-864-8853

PRODUCT DETAILS: VersaTread Stair & Riser System SHEET: 3 Steel Stringer Detail



For Specs, Drawings, and CAD Details, visit www.bertelsonprecast.com or Call 1-800-864-8853.